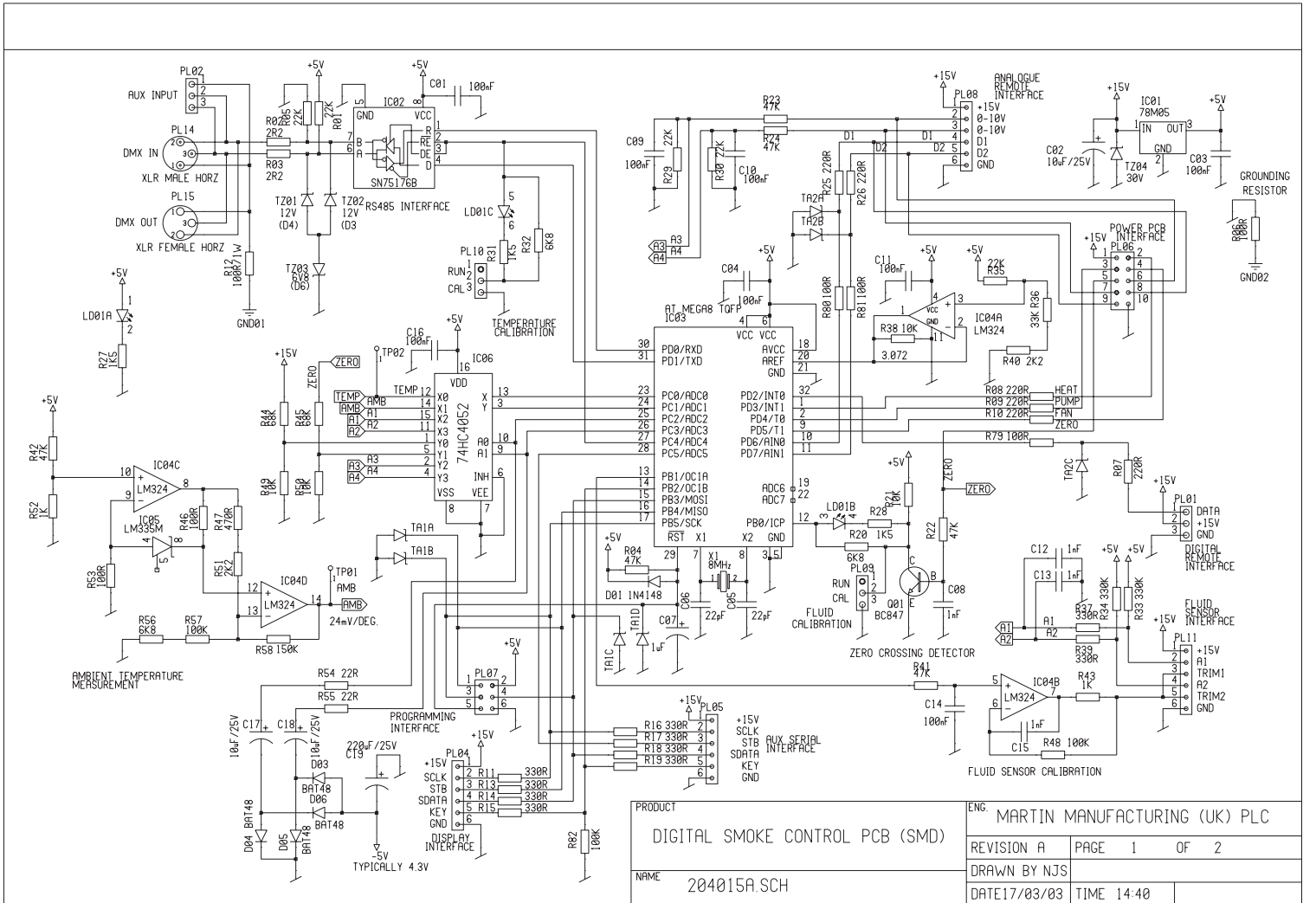
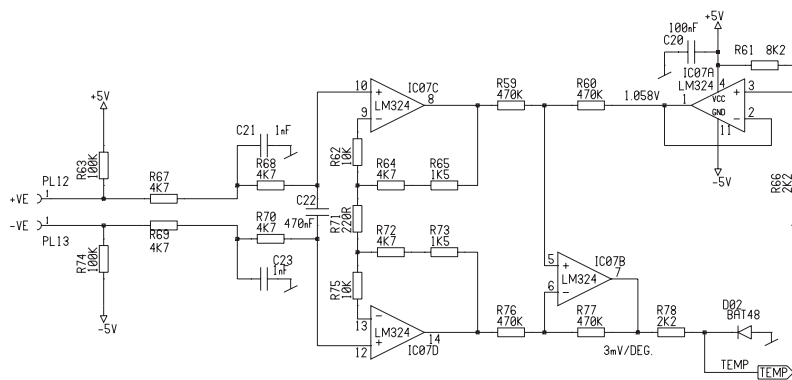


| | | |
|-------------------------------|----------------|-----------------------|
| TITLE RODIE POWER PCB | | |
| MARTIN MANUFACTURING (UK) PLC | REVISION A | DRAWN BY J Ramones |
| DRAWING # 01204020 | PAGE 2 OF 2 | DATE 15/02/2007 |



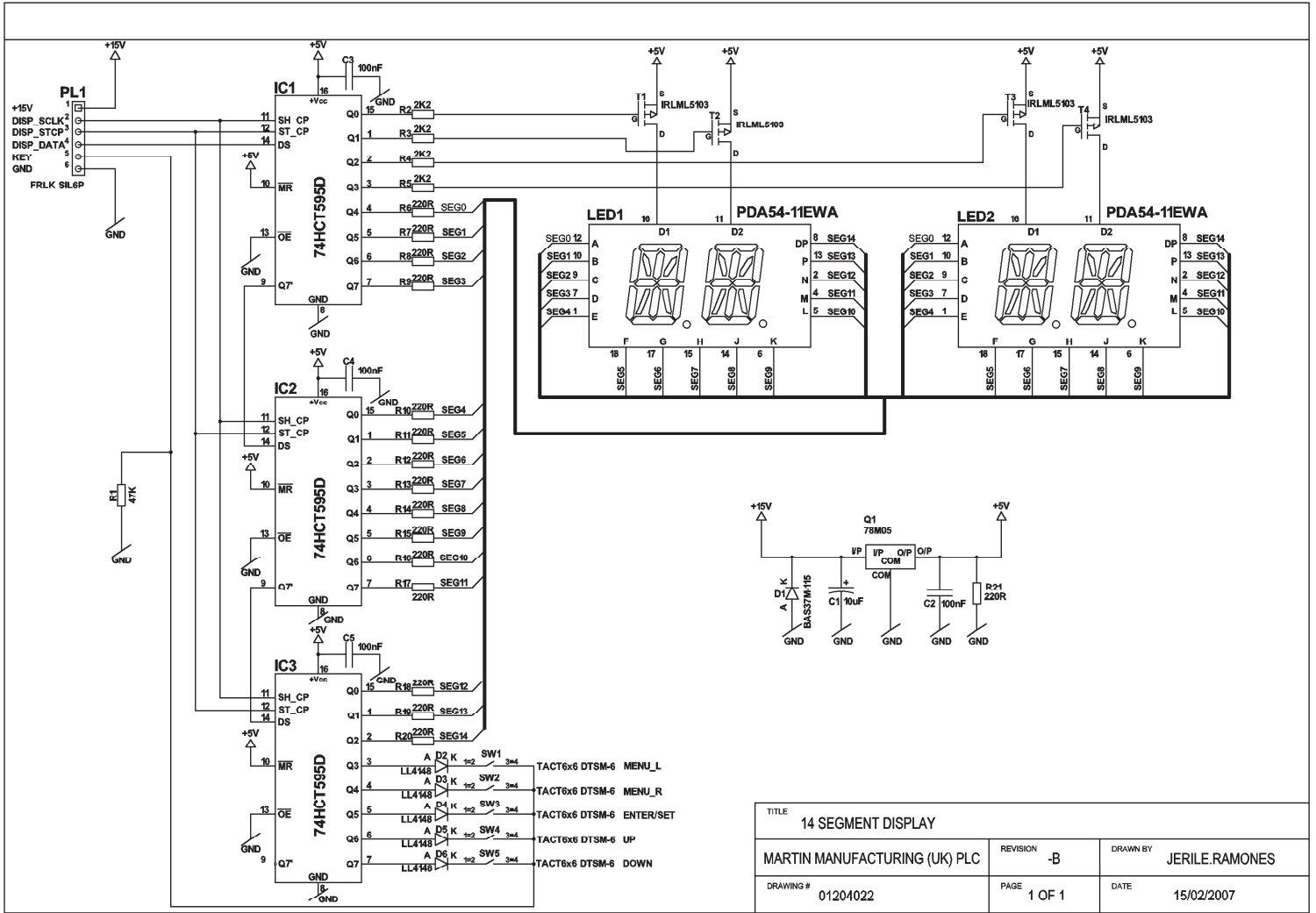
| | |
|---------|---------------------------------|
| PRODUCT | DIGITAL SMOKE CONTROL PCB (SMD) |
| NAME | 204015A SCH |

| | |
|----------|-------------------------------|
| ENG. | MARTIN MANUFACTURING (UK) PLC |
| REVISION | A |
| PAGE | 1 OF 2 |
| DRAWN BY | NJS |
| DATE | 17/03/03 |
| TIME | 14:40 |



THERMOCOUPLE AMPLIFIER

| | | | |
|---------------------------------|-------------|-------------------------------|------------|
| PRODUCT | | ENG. | |
| DIGITAL SMOKE CONTROL PCB (SMD) | | MARTIN MANUFACTURING (UK) PLC | |
| REVISION A | PAGE 2 | OF 2 | |
| DRAWN BY NJS | | | |
| NAME | 204015A.SCH | DATE 17/03/03 | TIME 14:42 |



| | | |
|-------------------------------|----------------|----------------------------|
| TITLE 14 SEGMENT DISPLAY | | |
| MARTIN MANUFACTURING (UK) PLC | REVISION -B | DRAWN BY JERILE.RAMONES |
| DRAWING # 01204022 | PAGE 1 OF 1 | DATE 15/02/2007 |